

SELF CLEANING FILTER FL 110



SELF CLEANING FILTER FL 110

Our in-line self cleaning filter has been designed to meet the requirement of modern industry for enclosed straining.

Slurry is pumped from outside towards inside of basket and the straining surface is continuously cleaned.

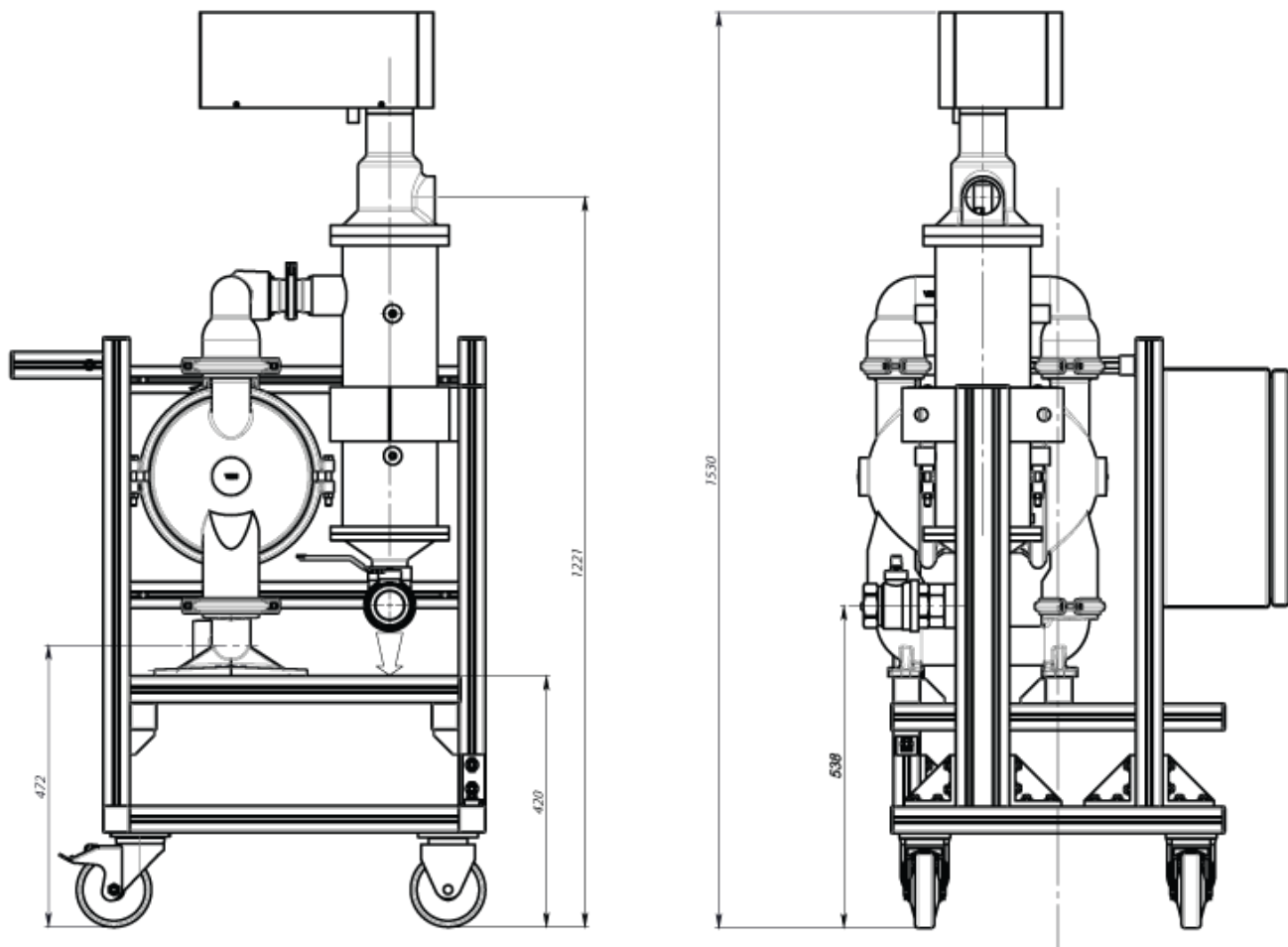
The basket is pneumatically rotated while two stationary scrapers with interchangeable blades let fall oversized

solids into the no flow bottom, where they are periodically removed via discharge valve.

MATERIAL OF CONSTRUCTION

All parts coming in contact with the goods to be strained are of stainless steel 304. Gaskets are of PTFE.

SELF CLEANING FILTER FL 110



TECHNICAL SPECIFICATIONS

DIMENSION OF THE CARTRIDGE	Ø110 x 500 mm.
STRAINING AREA	1727 cm ²
OPENING SIZE	50 to 500 micron
INLET / OUTLET CONNECTION	2"
DISCHARGE VALVE	2"
MAX PRESSURE OF THE SLURRY	2 bar
WEIGHT (FILTER ONLY)	45 Kg.
WEIGHT (FILTER + TROLLY)	90 Kg.